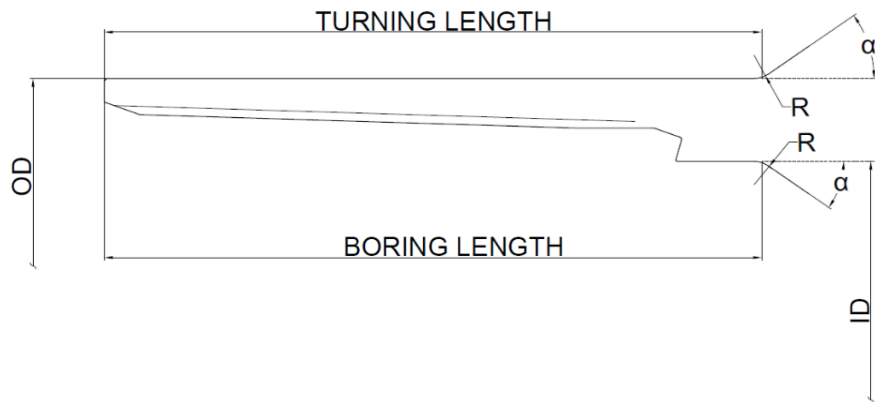


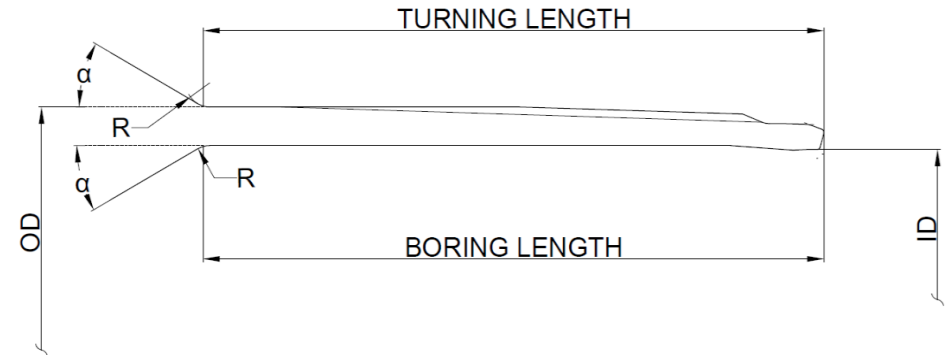
2³/₈ in 4.6 lb/ft

Clearance: Standard

Label	Pin/Box	OD [mm]	ID [mm]	Min. Turning Length [mm]	Min. Boring Length [mm]	OD [in]	ID [in]	Min. Turning Length [in]	Min. Boring Length [in]
2 ³ / ₈ in 4.6 lb/ft	BOX	69.00 ± 0.50	49.70 ± 0.20	74.00	74.00	2.717 ± 0.020	1.957 ± 0.008	2.913	2.913
	PIN	60.32 ± 0.79	50.10 ± 0.20	78.00	78.00	2.375 ± 0.031	1.972 ± 0.008	3.071	3.071



BOX



PIN

$R_{\min} = 20 \text{ mm} = 0.79 \text{ in}$

$\alpha_{\min} = 30^\circ$



www.sentinelconnections.com

PCBD-SENTINEL_Prime-2.375-4.6

Date of issue (dd/mm/yyyy): 31/10/2024